

```
interrupt void eva_timer1_isr(void)
{
  Uint16 i;
```

```
  FlashRegs.FPWR.bit.PWR = FLASH_SLEEP;
  vaTimer1InterruptCount++;
```

FuturaStock FAG Plus Baling Machine

- **High Productivity**
- **Cost Saving**
- **Versatility**
- **Latest Technology**



FUTURASTOCK FAG SELGRON FUTURASTOCK FAG SELGRON
 FUTURASTOCK FAG SELGRON FUTURASTOCK FAG SELGRON
 FUTURASTOCK FAG SELGRON FUTURASTOCK FAG SELGRON
 FUTURASTOCK FAG SELGRON FUTURASTOCK FAG SELGRON
 FUTURASTOCK FAG SELGRON FUTURASTOCK FAG SELGRON

Rice

Coffee

Peas

Beans

Sesame

Lentil

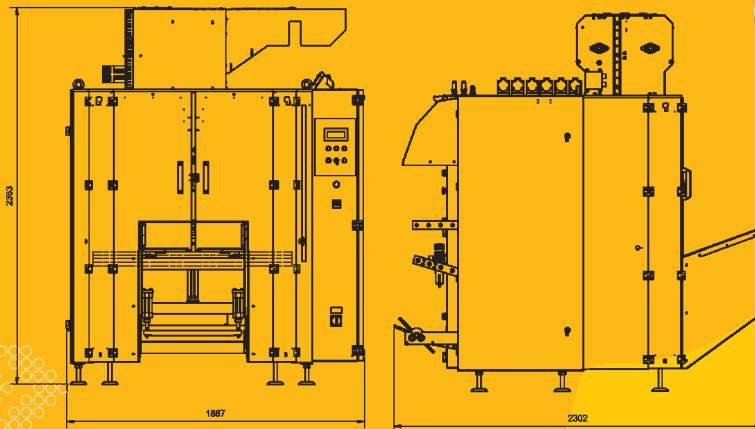
High productivity and cost saving.
Versatility with the latest technology.

FuturaStock Electronic Baling Machine

The outstanding features of the FUTURASTOCK series of baling machines are their very high productivity and their great versatility to group bags of different sizes into many different bale configurations. Designed for every customer's needs, the Selgron baling machines employ the highest technology in digital electronics, pneumatics components and precision mechanics, as well as, an exclusive (Patented) metering/feed system, and full domain of interlinking technology. Our baling machines are used for rice, beans, and cereals in general, as well as, sugar, toasted coffee, farinaceous goods and other products upon inquiry. The Selgron baling machines are designed to operate in a continuous regime of 24 hours per day, which provides for high productivity levels. All of this is due to their very high degree of reliability.



- High Productivity
- High Cost Saving of Film
- Interlinking Technology
- Easy Operation
- Flexible Grouping Modes



TECHNICAL FEATURES

| | |
|-----------------------------|-------------|
| Maximum film width | 1100 mm |
| Maximum coil outer diameter | 300 mm |
| Basic machine net weight | 950 kg |
| Power Consumption | 800 w |
| Power Supply Requirements | 220 / 440 V |
| Frequency | 50 / 60 Hz |
| Compressed air consumption | 700 l/min |
| Required Air Pressure | 7 bar |

➤ Authorized Technical Service Network available in several countries. Please contact us.

➤ **SELGRON INDUSTRIAL LTDA.**
 220, Hermann Althoff - Itoupavazinha Industrial District
 Zip code: 89066-355 - Blumenau/SC - Brazil
 Phone: +55 47 2111 7777
 e-mail: selgron@selgron.com.br - www.selgron.com.br

Selgron reserves the right, at any time to revise, alter or discontinue its machinery or equipment, as well as the conditions described herein, without incurring any liability or obligation with technical assistance, reseller, buyer or third parties. Due to continual technological development, the specifications of this equipment are subject to modifications without previous notification.

FEV/16